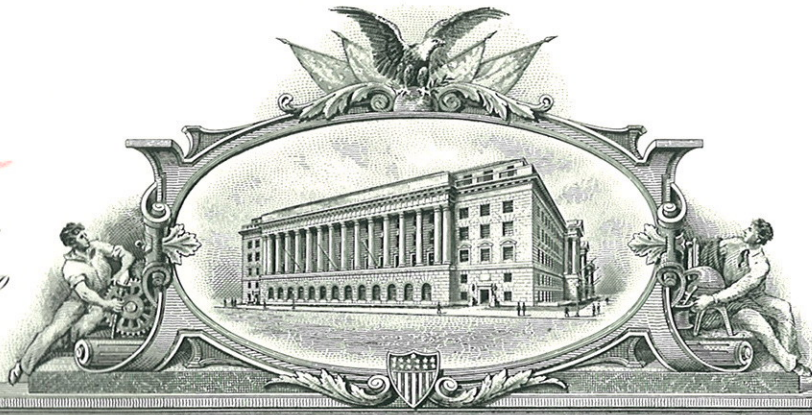


USA

Q. No.

3459309



THE UNITED STATES OF AMERICA

TO ALL TO WHOM THESE PRESENTS SHALL COME:

Whereas, THERE HAS BEEN PRESENTED TO THE
Commissioner of Patents

A PETITION PRAYING FOR THE GRANT OF **LETTERS PATENT** FOR AN ALLEGED NEW AND USEFUL INVENTION THE TITLE AND DESCRIPTION OF WHICH ARE CONTAINED IN THE SPECIFICATION OF WHICH A COPY IS HEREUNTO ANNEXED AND MADE A PART HEREOF, AND THE VARIOUS REQUIREMENTS OF **LAW** IN SUCH CASES MADE AND PROVIDED HAVE BEEN COMPLIED WITH, AND THE TITLE THERETO IS, FROM THE RECORDS OF THE **PATENT OFFICE** IN THE CLAIMANT(S) INDICATED IN THE SAID COPY, AND WHEREAS, UPON DUE EXAMINATION MADE, THE SAID CLAIMANT(S) IS (ARE) ADJUDGED TO BE ENTITLED TO A **PATENT UNDER THE LAW.**

NOW, THEREFORE, THESE **Letters Patent** ARE TO GRANT UNTO THE SAID CLAIMANT(S) AND THE SUCCESSORS, HEIRS OR ASSIGNS OF THE SAID CLAIMANT(S) FOR THE TERM OF **SEVENTEEN** YEARS FROM THE DATE OF THIS GRANT, SUBJECT TO THE PAYMENT OF **ISSUE FEES** AS PROVIDED BY **LAW**, THE RIGHT TO EXCLUDE OTHERS FROM MAKING, USING OR SELLING THE SAID **INVENTION** THROUGHOUT THE **UNITED STATES.**



In testimony whereof I have herunto set my hand and caused the seal of the Patent Office to be affixed at the City of Washington this fifth day of August, in the year of our Lord one thousand nine hundred and sixty-nine, and of the Independence of the United States of America the one hundred and ninety-fourth.

Attest:

Edward W. Fletcher, Jr.
Attesting Officer.

William S. Schuyler, Jr.
Commissioner of Patents.

Aug. 5, 1969

P. ECKSTEIN

3,459,309

COOLING WATER PURIFICATION APPARATUS

Filed Sept. 13, 1965

2 Sheets-Sheet 1

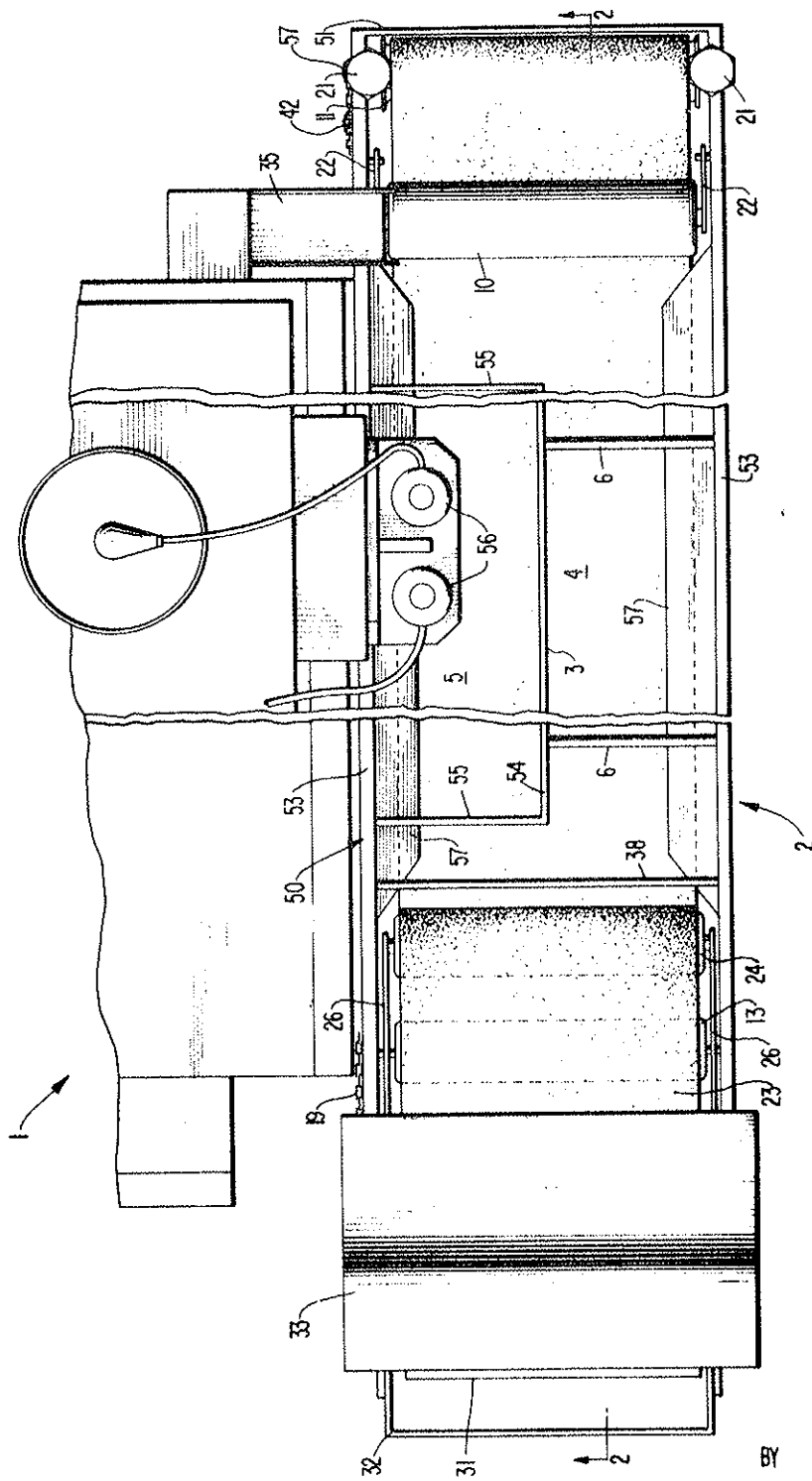


FIG. 1

INVENTOR
PHILIPP ECKSTEIN

BY *Brown, Schuyler & Beveridge*
ATTORNEYS

United

COOLING WATER
Philipp Eckstein,
Cincinnati, Ohio,
Inventor
Filed Sept. 13,
1965
Claims priority, app
No. 3,459,309

U.S. CL. 210-320

ABSTRACT

A surface grinder including an elongated trough and a settling chamber and a settling chamber that impurities settling on the belt. The discharge chamber includes an inclined conveyor settled impurities discharge chamber act as a trough flowing over it near the bottom of the trough. The maximum impurities discharge chamber now water from the discharge

The present invention is a purification plant for a cooling water to an improved purification settling tank with a conveying impurities to the system.

It is known in the art a purification plant for a cooling water to be purified by a transverse trough water, containing a surface grinder, flow from the first chamber the inclined upper edge of the discharge chamber where the impurities settle. The purified water is drawn into the surface grinder. To receive the cooling water, an inclined trough impurities to be deposited in the discharge chamber at an inclined trough. To receive the conveyor on the rotating belt is supported by the rollers with the conveyor that the impurities are carried upwardly and discharged into a waste container. In these prior art devices are guided from the outside and below the trough and where it is guided across the rollers, one of which is a endless path. The end of the trough is directed to the main conveyor belt.

These prior art devices are in that the return of the rollers outside of and below